

# USER MANUAL



Thank you for choosing Better Bathrooms.  
Please read this manual before installing your product  
and keep for future reference.

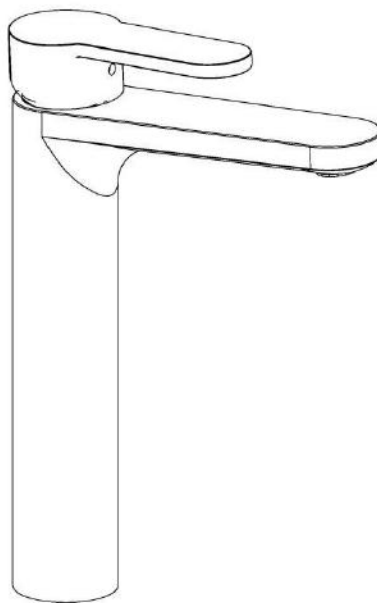
**better**   
**bathrooms**

## Product

BeBa\_27691 - Zorah Tall Basin Mixer Matt Black

BeBa\_27692 - Zorah Tall Basin Mixer Brushed Brass

BeBa\_27693 - Zorah Tall Basin Mixer Brushed Gunmetal



- **Single-person assembly**
- **Tools required**
- **We always recommend using professional tradespeople to install your product**

V1\_07/9/2021

# Congratulations on your purchase

*And welcome to our growing gang of savvy shoppers*

We're on a mission to bring you extraordinary bathroom products, for less. From modern to traditional style ceramics, plus the gorgeous fixtures, fittings and furniture to match. So, you can fall in love with your space every single day.

As one of the UK's largest independent bathroom stores, we've received countless awards; including the National Business Awards UK, the Digital Entrepreneur Awards and being placed on The Sunday Times Fast Track 100.

We hope your new product goes above and beyond your expectations. However, should any problems occur, please:

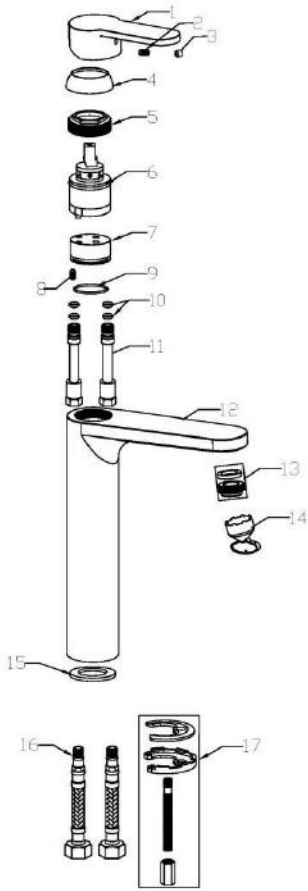
- log in to your account and contact our customer services team via your self-serve portal – [betterbathrooms.com/Account/Login](https://betterbathrooms.com/Account/Login)
- contact us via [betterbathrooms.com/contact-us](https://betterbathrooms.com/contact-us)

## Important information

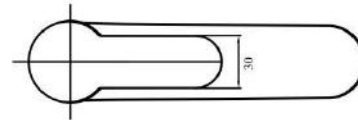
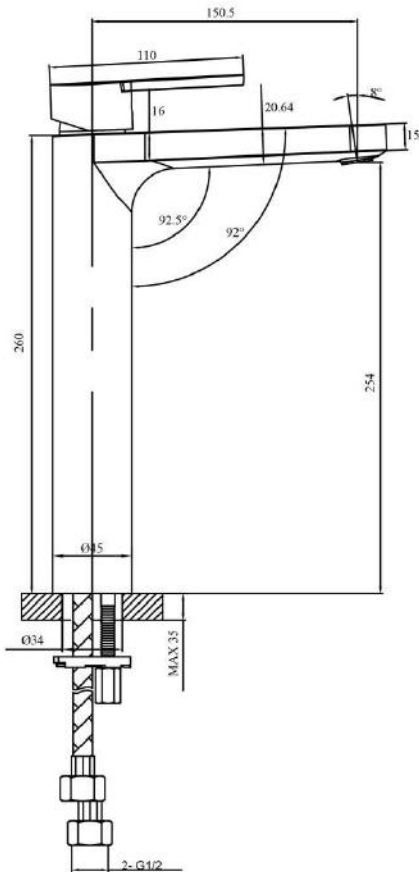
- Please read these instructions thoroughly and retain for future reference
- Installation must be carried out in compliance with The Water Fittings Regulations and Scottish Water Byelaws.
- The system must be flushed prior to installation
- Minimum and Maximum working pressure : 0.5 - 5 bar
- Pressures must be equal for optimum performance
- Please do not connect hot and cold water supply lines in reverse. This could result in hot water flowing from cold line and cause scalding.
- The feed-water temperature of water shall not exceed 85° C.  
Exceeding 85° may cause scalding, the service life of faucets might be shortened, or the faucet might be damaged.
- After installation, please make sure the faucet is securely mounted and checked for leaks.

# Parts / Diagrams

No	Part Description
1	Handle
2	Screw
3	Cap
4	Trim Cover
5	Locknut
6	Cartridge
7	Cartridge base
8	Screw
9	O-ring
10	O-ring
11	Inlet pipe
12	Body
13	Aerator
14	Aerator key
15	Rubber washer
16	Flexible hose
17	Fixing kit



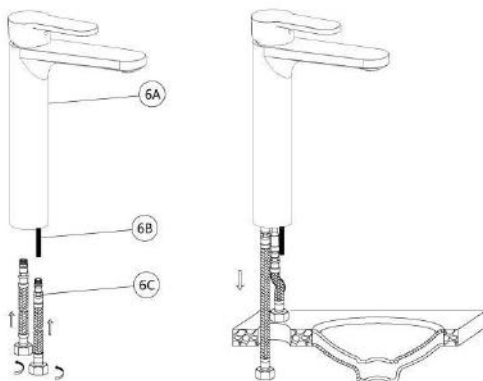
# Dimensions



## Tools required

- Spanner

## Installation



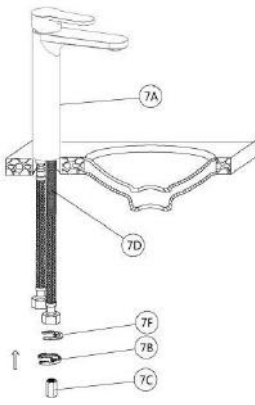
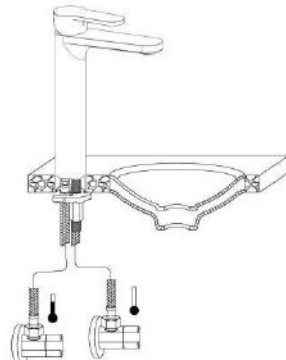
Install the two inlet hoses(6C) into the faucet(6A), these should only be hand tightened.

Next fit Fixing bar (6B) into the mixer body and tighten.

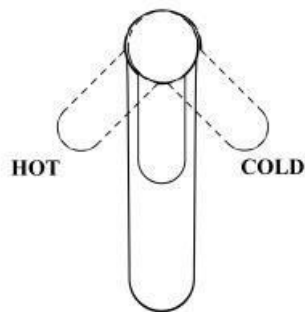
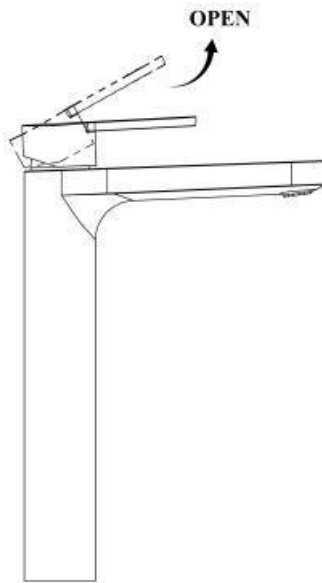
Ensure the rubber washer (15) is fitted between mixer and basin/top

From above basin, push the inlet hoses(6C) and fixing bar (6B) through the hole on basin and position correctly.

**Do not allow the hoses to be kinked or twisted**

	<p>From underneath basin, secure mixer body (7A) by placing Rubber Washer(7F), Metal Washer(7B) onto the Fixing Bar (6B), followed by Fixing Nut (7C).</p> <p>Tighten Fixing Nut(7C) until mixer is secure, do not overtighten as this could crack the ceramic</p>
	<p>Check the washers are fitted into the nut on the hot and cold flexible hoses.</p> <p>Connect the hot and cold flexible hoses to the isolation valves (not included), hot on the left, cold on the right.</p> <p>Turn on water supply and check for leaks.</p>

## Operation

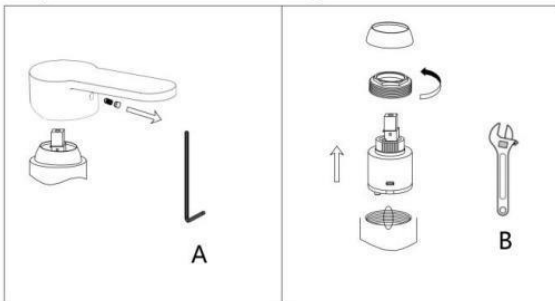


# Troubleshooting

Issues	Inspection Item
Poor water flow	<ul style="list-style-type: none"> <li>• Is there blockage within the filter mesh on aerator</li> <li>• Is the flexible hose kinked or twisted</li> <li>• Was the system flushed prior to installation</li> <li>• Is the mixer cartridge free from debris</li> </ul>
Water leak	<ul style="list-style-type: none"> <li>• Is there damage or dirt within the O-rings of the cartridge</li> <li>• Is there damage or dirt with the rubber washers in the of aerator</li> <li>• Is the locknut on top of cartridge fully tightened</li> <li>• Is there damage within the rubber washer inside the nuts of flexible hoses</li> <li>• Is there damage with the O-rings on the flexible hoses</li> </ul>
Handle loose	<ul style="list-style-type: none"> <li>• Is the screw inside the handle fully tightened</li> <li>• Is the locknut on top of cartridge fully tightened</li> </ul>
Body loose	<ul style="list-style-type: none"> <li>• Is the fixing kit underneath fully tightened</li> </ul>

# Maintenance

## Replacement of Cartridge



## CLEANING OF AERATOR

To avoid the dust and impurities from construction that might influence the water flow, it is suggested to clean the aerator on a regular basis.



## **Cleaning**

To maintain the surface of your product, wipe with a clean damp cloth and wipe dry, do not use any abrasive cleaning agents or materials. If any harsh chemicals come into contact with the surface of the product, rinse and wipe clean immediately.

***For more information***

- visit [betterbathrooms.com](http://betterbathrooms.com)
- email [customerservices@buyitdirect.co.uk](mailto:customerservices@buyitdirect.co.uk)
- call 03303903062
- write to Trident Business Park, Neptune Way, Huddersfield, HD2 1UA

**better**   
**bathrooms**

Part of the BuyItDirect Group